

## Specifications

### Construction:

- Rugged one-piece, die-cast aluminum housing secures the thermally conductive LED panel and electrical chamber
- Low profile, 3G vibration rated compact design minimizes wind load requirements.
- Housing is completely sealed against moisture and environmental contaminants.

### Optics:

- Available in IES Type III, IV, V distributions
- Light engines are available in standard 4000 K and 5000 K (70 CRI) configurations.
- Scalable Lumen Packages from 5,360 to 42,000 Lumens replaces up to 1000W Metal Halide.
- Optics is precisely designed to shape the distribution, maximizing efficiency and application spacing.
- For the ultimate level of spill light control, an optional house-side shield accessory can be field or factory installed.
- The optics can conform to dark sky requirement.

### Electrical:

- Universal 120-277 VAC or 347-480 VAC input voltage
- Standard with 1-10V dimming driver(s)
- THD: ≤20%
- Power Factor: ≥90%

### Controls:

- Optional occupancy sensor
- Optional Photocell

### Ambient Temperature:

- Ambient operating temperature -40° C to 45° C (-40°F to 113°F).

### Installation:

- Suitable for mounting heights ranging from 26-50' in area lighting applications
- Round pole, Square pole, slipfitter and wall mount are available
- The design can be operated by one person to install the whole lamp

### Lifespan:

- Estimated 100,000-hour LED lifespan based on IES LM-80 results and TM-21 calculations

### Finish:

- It's available in black or optional dark bronze, silvery gray or white.



Black



Dark Bronze



Silver Gray



White

Small Size: 40W/70W/100W



Medium Size: 150W/200W



Large Size: 250W/300W



### Certifications:

- DesignLights Consortium™ Qualified.
- UL cUL wet location listed.

Note: DesignLights Consortium™ Qualified and classified for DLC Standard (all lumen packages), refer to [www.designlights.org](http://www.designlights.org) for details.

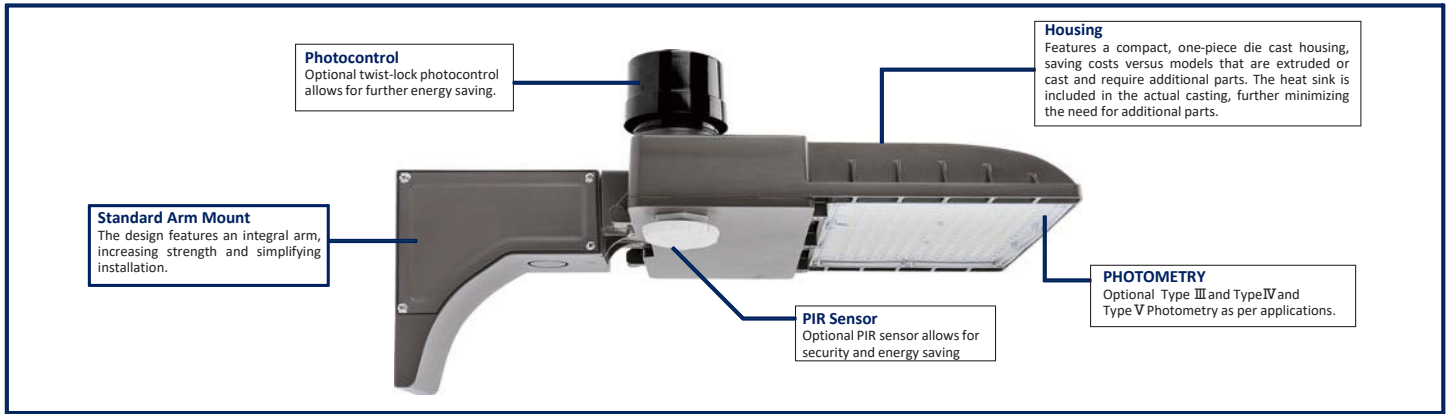
### Note:

Actual performance may differ as a result of end-user environment and application. All values are design or typical values, measured under laboratory conditions at 25°C(±5°C) specifications subject to change without notice.

## Applications:

Auto dealerships, parking lots, walkways, roadways, campuses, facade lighting, grocery stores and other public areas.










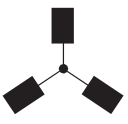
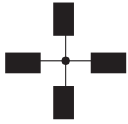
## PERFORMANCE DATA

SYSTEM WATTS	VOLTAGE	DIST.TYPE	4000K(70CRI)		5000K(70CRI)	
			LUMENS	LPW	LUMENS	LPW
40W	120-277V	3	5400lm	135 lm/W	5500lm	138 lm/W
	120-277V	4	5360lm	134 lm/W	5480lm	137 lm/W
	120-277V	5	5600lm	140 lm/W	5720lm	143 lm/W
45W	347-480V	3	5900lm	131 lm/W	6000lm	133 lm/W
	347-480V	4	5850lm	130 lm/W	5940lm	132lm/W
	347-480V	5	6120lm	136 lm/W	6210lm	138 lm/W
70W	120-277V	3	9500lm	136 lm/W	9600lm	137 lm/W
	120-277V	4	9310lm	133 lm/W	9450lm	132 lm/W
	120-277V	5	9730lm	139 lm/W	9800lm	140 lm/W
75W	347-480V	3	9800lm	131 lm/W	10000lm	133 lm/W
	347-480V	4	9750lm	130 lm/W	9900lm	132 lm/W
	347-480V	5	10200lm	136 lm/W	10350lm	138 lm/W
100W	120-277V/347-480V	3	13500lm	135 lm/W	13800lm	138 lm/W
	120-277V/347-480V	4	13200lm	132 lm/W	13300lm	133 lm/W
	120-277V/347-480V	5	13800lm	138 lm/W	13900lm	139 lm/W
150W	120-277V	3	20500lm	137 lm/W	20800lm	139 lm/W
	347-480V	3	21000lm	140 lm/W	21300lm	143 lm/W
	120-277V/347-480V	4	19800lm	132 lm/W	20000lm	133 lm/W
	120-277V	5	20500lm	137 lm/W	20800lm	139 lm/W
200W	347-480V	5	21000lm	140 lm/W	21000lm	140 lm/W
	120-277V/347-480V	3	25500lm	128 lm/W	26000lm	130 lm/W
	120-277V/347-480V	4	24600lm	123 lm/W	24800lm	124 lm/W
250W	120-277V/347-480V	5	25500lm	128 lm/W	26000lm	130 lm/W
	120-277V/347-480V	3	34000lm	136 lm/W	34500lm	138 lm/W
	120-277V/347-480V	4	33250lm	133 lm/W	33750lm	135 lm/W
300W	120-277V/347-480V	5	34750lm	139 lm/W	35250lm	141 lm/W
	120-277V	3	40500lm	135 lm/W	41000lm	137 lm/W
	347-480V	3	41500lm	138 lm/W	42000lm	140 lm/W
	120-277V/347-480V	4	39600lm	132 lm/W	39900lm	133 lm/W
	120-277V	5	40500lm	135 lm/W	41000lm	137 lm/W
	347-480V	5	41500lm	138 lm/W	42000lm	140 lm/W

## ELECTRICAL DATA

Number Of Drivers	Driver Current (mA)	Nominal Power (W)	INPUT VOLTAGE (V)		CURRENT (Amps)
1	980	40	120	0.33	
		40	208	0.19	
		40	240	0.17	
	1200	40	277	0.14	
		45	347	0.13	
		45	480	0.09	
1	1750	70	120	0.58	
		70	208	0.34	
		70	240	0.29	
	1850	70	277	0.25	
		75	347	0.22	
		75	480	0.16	
1	2600	100	120	0.83	
		100	208	0.48	
		100	240	0.42	
	3900	100	277	0.36	
		100	347	0.29	
		100	480	0.21	
1	5000	150	120	1.25	
		150	208	0.72	
		150	240	0.63	
	6300	150	277	0.54	
		150	347	0.43	
		150	480	0.31	
1	6400	200	120	1.67	
		200	208	0.96	
		200	240	0.83	
	6700	200	277	0.72	
		200	347	0.58	
		200	480	0.42	
1	5800	250	120	2.08	
		250	208	1.20	
		250	240	1.04	
	6700	250	277	0.90	
		300	347	0.72	
		300	480	0.52	
1	6700	300	120	2.50	
		300	208	1.44	
		300	240	1.25	
	5800	300	277	1.08	
		300	347	0.86	
		300	480	0.63	

# EPA OF AREA LIGHT

Item	Mounting							
		1	2 @90°	2 @120°	2@180°	3 @90°	3 @120°	4 @90°
40W/70W/100W	Square	0.3413	0.5929	0.7983	0.6826	0.9442	1.0499	0.9442
150W/200W	Square	0.423	0.715	0.843	0.846	1.138	1.165	1.138
250W/300W	Square	0.4759	0.7889	1.0581	0.9518	1.2648	1.371	1.2648
40W/70W/100W	Slipfitter	0.3342	0.4912	0.7018	0.6684	0.8254	0.9132	0.8254
150W/200W	Slipfitter	0.375	0.639	0.7978	0.75	0.9056	1.01	0.9056
250W/300W	Slipfitter	0.464	0.7648	1.0316	0.928	1.2288	1.243	1.2288

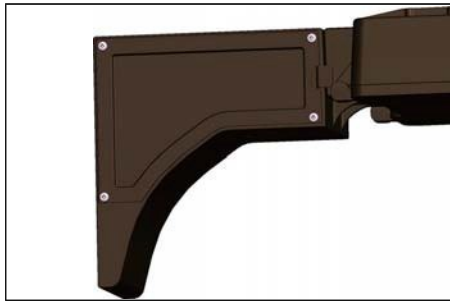
## BUG

SYSTEM WATTS	VOLTAGE	DIST. TYPE	B	U	G
40W	120-277V	3	1	0	1
45W	347-480V	3	1	0	1
70W	120-277V	3	2	0	2
75W	347-480V	3	2	0	2
100W	120-277V/347-480V	3	2	0	2
150W	120-277V/347-480V	3	3	0	3
200W	120-277V/347-480V	3	3	0	3
250W	120-277V/347-480V	3	4	0	4
300W	120-277V/347-480V	3	4	0	4

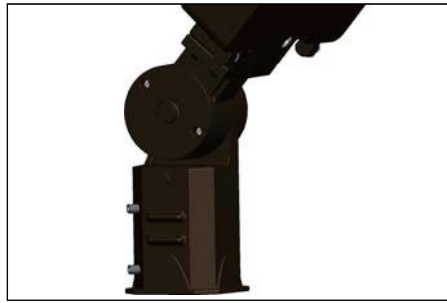
## MOUNTING

- Standard versatile mounting arm accommodates multiple drilling patterns as well as square and round poles
- Wall Mount available for direct wall mounting and J-box mounting
- Optional for cast aluminum slipfitter mounting adapter (Compatible with more MESTER mounting adaptors such as Tenon, suits for various application)

### Mounting Options



**Arm Mount** ( 4" and 5" Square and Round poles)  
Standard versatile mounting arm is simple to install and can be used with existing poles for retrofit installations.

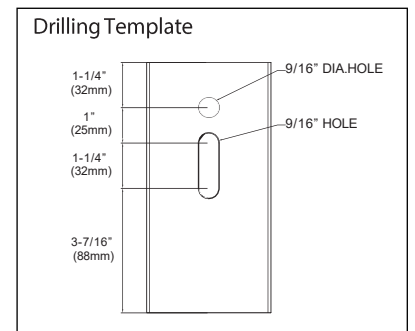
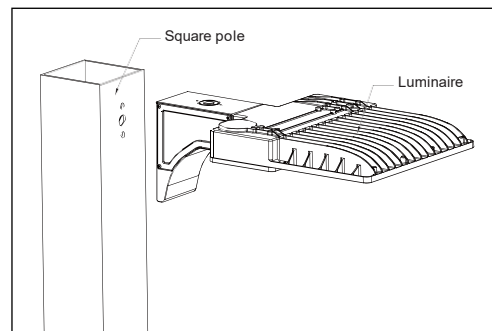
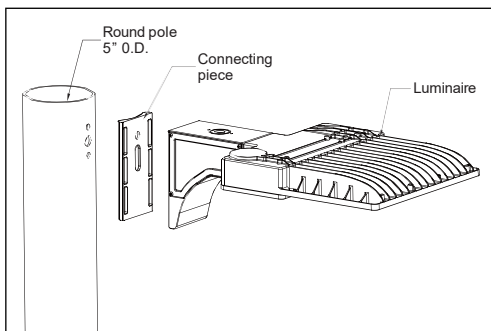


**Slipfitter Mount**  
An optional cast aluminum mast arm adapter secures fixture head to nominal 2-3/8" O.D. horizontal steel tenon arm.



**Wall Mount**  
Wall Mount is easy to install for direct wall mounting with 1/2" conduit wiring or standard J-box mounting

### Mounting Dimensions



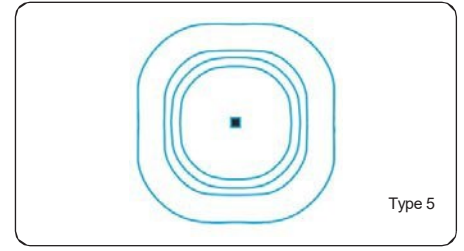
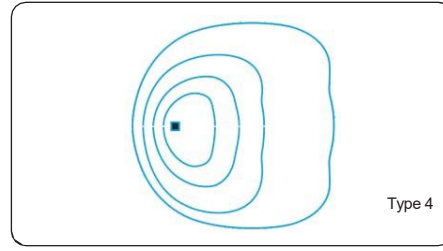
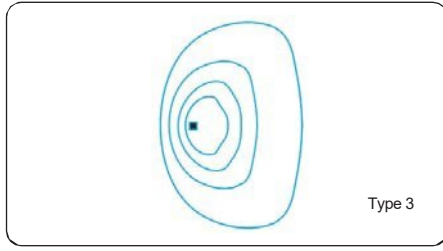
# PHOTOMETRICS

Mester offers a complete set of optical systems to meet every site lighting requirement. These systems provide remarkable flexibility in precisely matching light distribution patterns to specific site requirements.

Type 3 optics produce an asymmetrical pattern that directs the majority of the light forward and equally on both sides of the luminaire. In a back-to-back configuration, it creates a rectangular pattern which can extend pole spacings.

Type 4 is suitable for applications where light is primarily required forward with minimal backlight. Typical installations include perimeter poles.

Type 5 optics produce a symmetrical square distribution pattern that distributes light equally on all sides of the luminaire. Type 5 luminaires is universal for most area lighting applications



# EXTERNAL SHIELDS

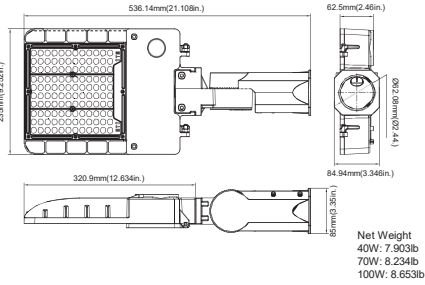
AL04 series features a backlight control which provides reduced pixilation and increased visual comfort without compromising performance. External Glare Shield: sold separately or as an accessory.



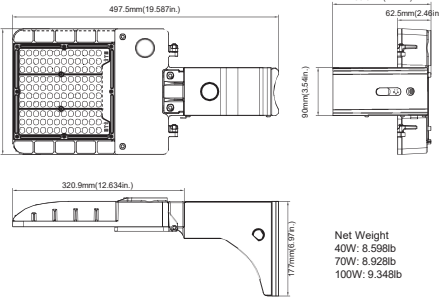
# DIMENSION

unit: inch/mm

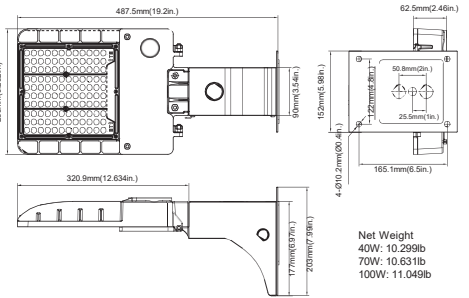
## 40W/70W/100W (Slipfitter Mount)



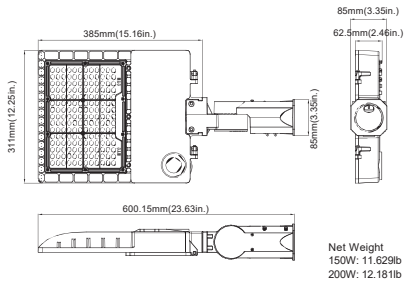
## 40W/70W/100W (Pole Mount)



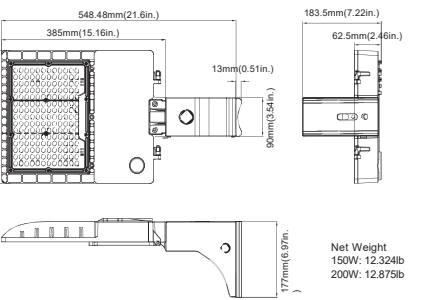
## 40W/70W/100W (Wall Mount)



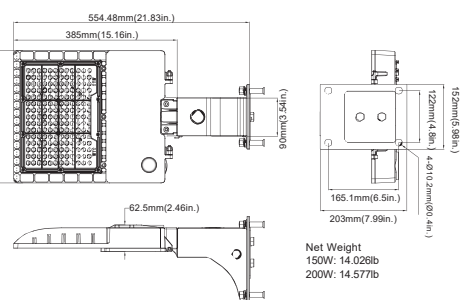
## 150W/200W (Slipfitter Mount)



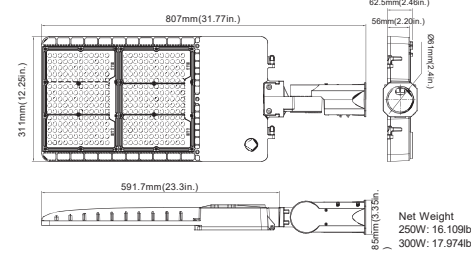
## 150W/200W (Pole Mount)



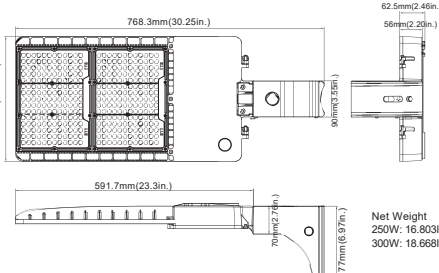
## 150W/200W (Wall Mount)



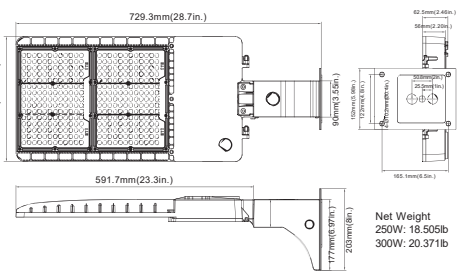
## 250W/300W (Slipfitter Mount)



## 250W/300W (Pole Mount)



## 250W/300W (Wall Mount)





# ORDERING GUIDE

Example: MAL04 100W 27V XXX Y Y Y Y Y

Fixture Type	Wattage	Voltage	CCT	Finish	Photocell (Option)	Sensor (Option)	Mounting	Photometry	Surge Protection (Option)
<input type="checkbox"/>	<input type="checkbox"/>	<input type="checkbox"/>	<input type="checkbox"/>	<input type="checkbox"/>	<input type="checkbox"/>	<input type="checkbox"/>	<input type="checkbox"/>	<input type="checkbox"/>	<input type="checkbox"/>
<b>MAL04</b> Area Light Series	<b>40</b> 40W <b>45</b> 45W <b>70</b> 70W <b>75</b> 75W <b>100</b> 100W	<b>27V</b> 120-277V <b>48V</b> 347-480V	<b>40K</b> 4000K <b>50K</b> 5000K	<b>D</b> Dark Bronze <b>B</b> Black <b>W</b> White <b>SG</b> Silver Gray	<b>P0</b> 120-277V Photocell <b>P3</b> 347V Photocell <b>P4</b> 480V Photocell <b>Blank</b> Without Photocell	<b>M</b> With 120-277V Sensor <b>Blank</b> Without Sensor	<b>SQ</b> Square Pole Mount <b>SP</b> Slipfitter Mount <b>WM</b> Wall Mount	<b>T3</b> TYPE III Photometry <b>T4</b> TYPE IV Photometry <b>T5</b> TYPE V Photometry	<b>S</b> Surge protection <b>(Blank)</b> No Surge protection

Note: 1. The Watt is 40W when the voltage is 120-277V, while when it is 347-480V, the watt is 45W.  
2. The Watt is 70W when the voltage is 120-277V, while when it is 347-480V, the watt is 75W.

Example: MAL04 150W 27V XXX Y Y Y Y Y

Fixture Type	Wattage	Voltage	CCT	Finish	Photocell (Option)	Sensor (Option)	Mounting	Photometry
<input type="checkbox"/>	<input type="checkbox"/>	<input type="checkbox"/>	<input type="checkbox"/>	<input type="checkbox"/>	<input type="checkbox"/>	<input type="checkbox"/>	<input type="checkbox"/>	<input type="checkbox"/>
<b>MAL04</b> Area Light Series	<b>150</b> 150W <b>200</b> 200W <b>250</b> 250W <b>300</b> 300W	<b>27V</b> 120-277V <b>48V</b> 347-480V	<b>40K</b> 4000K <b>50K</b> 5000K	<b>D</b> Dark Bronze <b>B</b> Black <b>W</b> White <b>SG</b> Silver Gray	<b>P0</b> 120-277V Photocell <b>P3</b> 347V Photocell <b>P4</b> 480V Photocell <b>Blank</b> Without Photocell	<b>M</b> With 120-277V Sensor <b>Blank</b> Without Sensor	<b>SQ</b> Square Pole Mount <b>SP</b> Slipfitter Mount <b>WM</b> Wall Mount	<b>T3</b> TYPE III Photometry <b>T4</b> TYPE IV Photometry <b>T5</b> TYPE V Photometry

## ADDITIONAL MOUNTING ACCESSORIES

### POLE BRACKET • For mounting one fixture on an existing pole

	<b>4\" Square Pole Mount with 2-3/8\" O.D. Tenon</b> NO. 45Q-SP-D Finish: Dark Bronze USE: For use with square, non-tapered steel and aluminum poles. Furnished with four 5/16\" hex head stainless-steel bolts. Vertical tenon measures 2-3/8\" O.D., and is made of steel tubing. Fixtures mounted to this bracket can be adjusted both vertically and horizontally.		<b>4\" Round Pole Mount with 2-3/8\" O.D. Tenon</b> NO. 45QR-SP-D Finish: Dark Bronze USE: For use with Round, non-tapered steel and aluminum poles. Furnished with three 3/8\" hex head stainless-steel bolts. Vertical tenon measures 2-3/8\" O.D., and is made of steel tubing. Fixtures mounted to this bracket can be adjusted both vertically and horizontally.
	<b>5\" Square Pole Mount with 2-3/8\" O.D. Tenon</b> NO. 55Q-SP-D Finish: Dark Bronze USE: For use with square, non-tapered steel and aluminum poles. Furnished with four 5/16\" hex head stainless-steel bolts. Vertical tenon measures 2-3/8\" O.D., and is made of steel tubing. Fixtures mounted to this bracket can be adjusted both vertically and horizontally.		<b>5\" Round Pole Mount with 2-3/8\" O.D. Tenon</b> NO. 55QR-SP-D Finish: Dark Bronze USE: For use with Round, non-tapered steel and aluminum poles. Furnished with three 3/8\" hex head stainless-steel bolts. Vertical tenon measures 2-3/8\" O.D., and is made of steel tubing. Fixtures mounted to this bracket can be adjusted both vertically and horizontally.
	<b>Pole Bracket Accessories - Angle-Adjustment Adapter</b> NO. SQA-ALDA Finish: Dark Bronze USE: Durable brackets are engineered to provide versatile mounting options. These arms are made from rugged die-cast aluminum. They allow optimal positioning of the light fixture to maximize the lighting effectiveness vertically and horizontally.		<b>Pole Bracket accessories - Tenon &amp; Yoke Adaptor</b> NO. SP-TR-D Finish: Dark Bronze USE: The 2-3/8\" OD Tenon Mount Adaptor for Yoke Fixtures is designed to mount MESTER light fixtures that are equipped with a yoke mount onto a 2-3/8\" OD tenon. It may be utilized with the Mester Flood Light Series of light fixtures.

### WALL BRACKET • Attaches to any flat surface • Provides wiring access

	<b>90° Wall Mount Bracket with 2-3/8\" O.D. Tenon</b> NO. WM-SP-D Finish: Dark Bronze USE: The 90° wall mount bracket with 2-3/8\" tenon attaches an MESTER floodlight to almost any surface: wall, roof, or wood pole. Provides wiring access and built-in 2-3/8\" O.D. tenon to mount a fixture with our adjustable slipfitter. Suggested 3/8\" diameter bolts for mounting. Mounting holes are spaced 3-1/4\" apart.		<b>2-3/8\" OD Horizontal Tenon Mid-Pole Bracket</b> NO. SQ-SP-D Finish: Dark Bronze USE: 2-3/8\" OD Horizontal Tenon Mid-Pole Bracket is designed to mount light fixture that is equipped with an adjustable slipfitter onto a 2-3/8\" OD horizontal tenon
--	--	--	---

### Round External Mount Horizontal Tenon • To mount 2/3/4 fixtures on an existing pole

	<b>Double 90° Horizontal Tenon Adaptor</b> NO. R60-SP2-90-D Finish: Dark Bronze USE: The Bracket is designed to mount over 2-3/8\" (60mm) O.D. vertical tenon. Two fixtures can be mounted to the Round External Mount Horizontal Tenon and adjusted horizontally		<b>Triple 120° Horizontal Tenon Adaptor</b> NO. R60-SP3-120-D Finish: Dark Bronze USE: The Bracket is designed to mount over 2-3/8\" (60mm) O.D. vertical tenon. Three fixtures can be mounted to the Round External Mount Horizontal Tenon and adjusted horizontally
	<b>Double 180° Horizontal Tenon Adaptor</b> NO. R60-SP2-180-D Finish: Dark Bronze USE: The Bracket is designed to mount over 2-3/8\" (60mm) O.D. vertical tenon. Two fixtures can be mounted to the Round External Mount Horizontal Tenon and adjusted horizontally		<b>Quad 90° Horizontal Tenon Adaptor</b> NO. R60-SP4-90-D Finish: Dark Bronze USE: The Bracket is designed to mount over 2-3/8\" (60mm) O.D. vertical tenon. Four fixtures can be mounted to the Round External Mount Horizontal Tenon and adjusted horizontally
	<b>Triple 90° Horizontal Tenon Adaptor</b> NO. R60-SP3-90-D Finish: Dark Bronze USE: The Bracket is designed to mount over 2-3/8\" (60mm) O.D. vertical tenon. Three fixtures can be mounted to the Round External Mount Horizontal Tenon and adjusted horizontally		