



US Patent
T-GRID LED
LIGHTING SYSTEM



T-GRID LED LIGHTING SYSTEM

US Patent: 10125934



Milky Diffusing 9/16" and 15/16"

T-Grid LED with diffusing cover has an added unique design with triple sides, to allow the light to diffuse for a direct and indirect lighting combination with 120° beam angle, and create a particular architectural statement while distributing the lumens over the entire space.



Clear Diffusing 15/16"

T-Grid LED with diffusing lens for direct lighting is equipped with controlled light distributions of beam angle options 70° and 90° for controlled distribution.



Lens Diffusing

T-Grid LED with reflector is a great choice for applications where a concentrated angle of light is desired on task areas or table top surfaces with 85° beam angle.

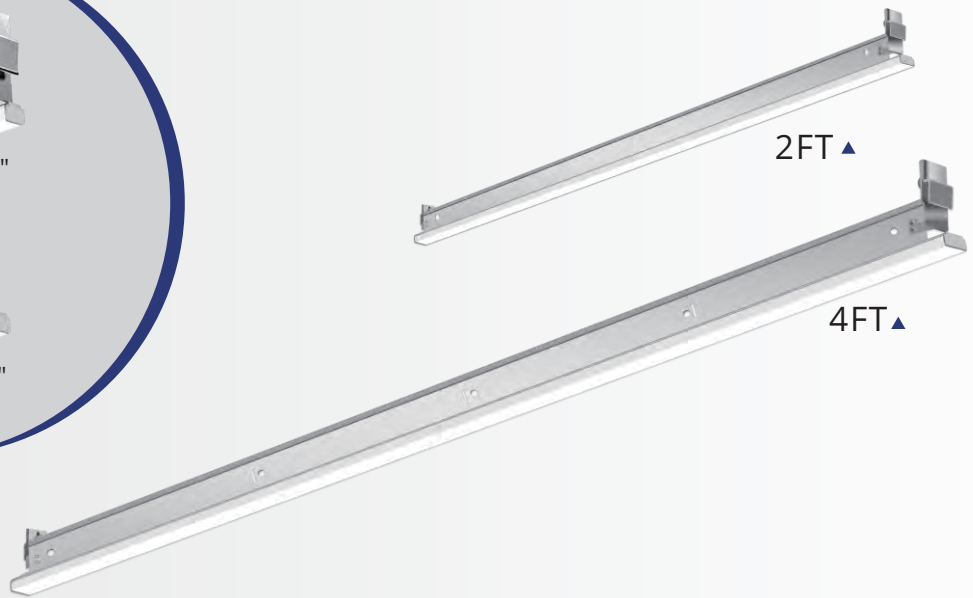


T-Grid LED Sign

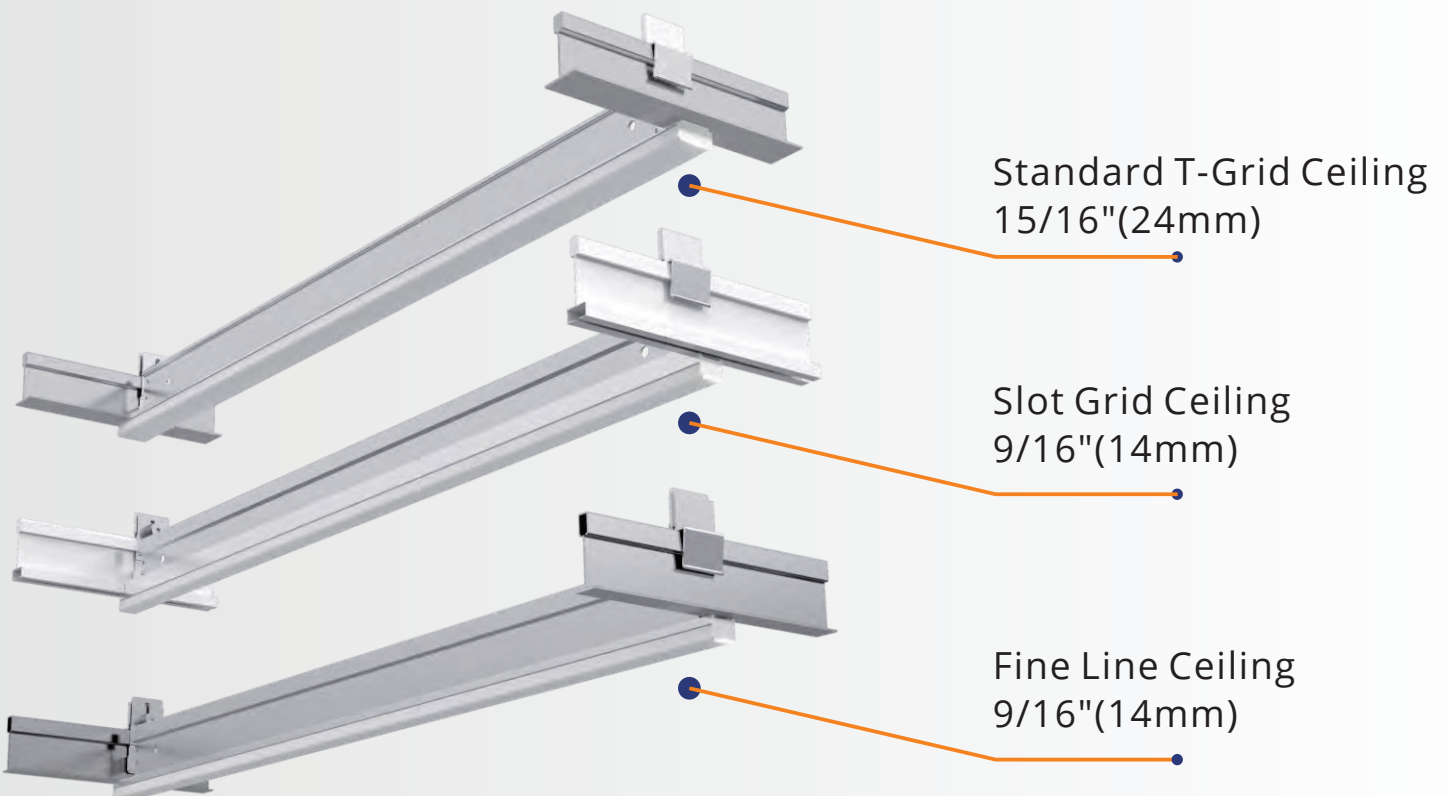
This is a perfect minimalistic solution for providing a flexible led sign with big beam angle, achieving indication and illumination function for commercial and institutional environments.

DIMENSION

01 2FT and 4FT with 9/16" and 15/16" options



02 Versatile Compatibility To Various T-Grids

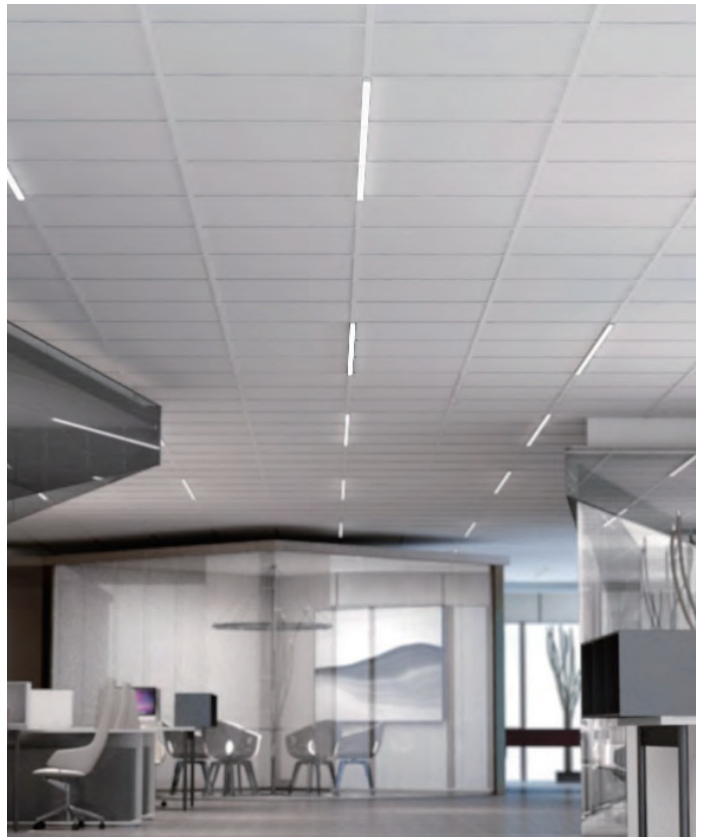


ELEGANT APPEARANCE



US Patent: 10125934

01 **Slim Profile 0.48" Thickness**
Almost Integrated To The T-grid Ceiling



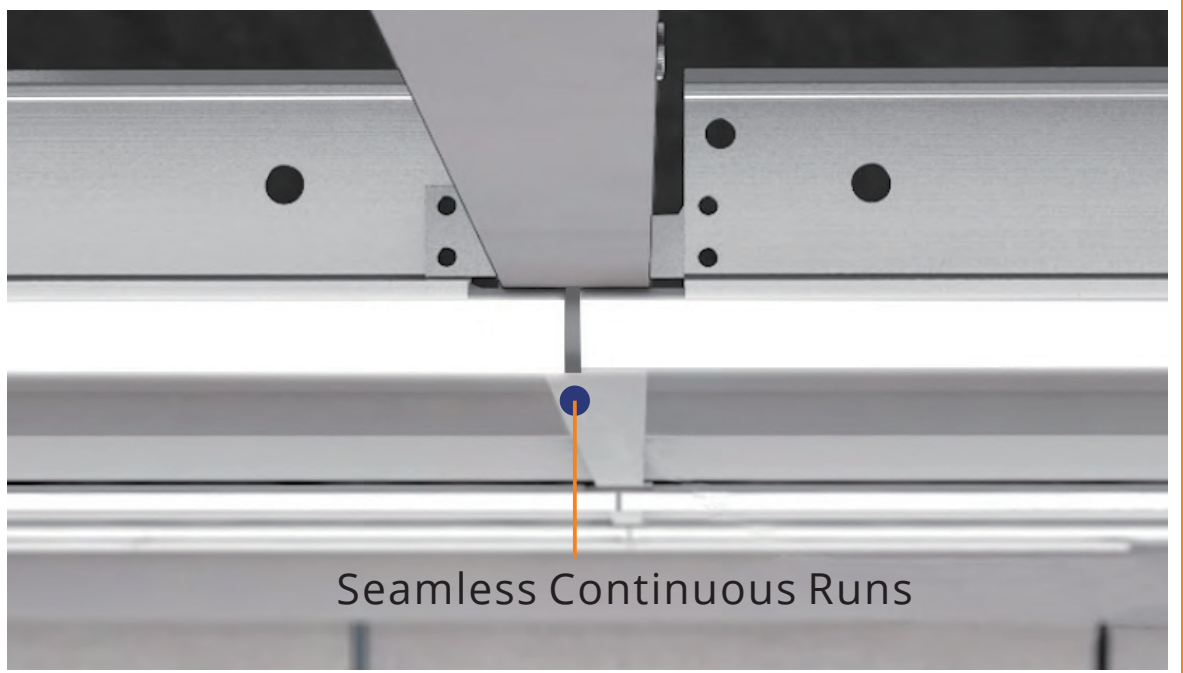
02 **IC Rated**

T-grid LED is IC rated, which has additional insulation materials either by code or design requirement for installation in suspended ceilings.

03

Seamless Continuous Runs

It is a lighting solution that can be replaced with 9/16", 15/16" removable cross tee of the grid ceiling, allowing our linear light to be seamlessly integrated into the suspended ceiling.





LOWER YOUR INVENTORY

01

Separable design, lower your inventory

It has an added unique separate design with LED module and T-grid bracket which you can replace the LED module randomly for your different needs.

Step 1



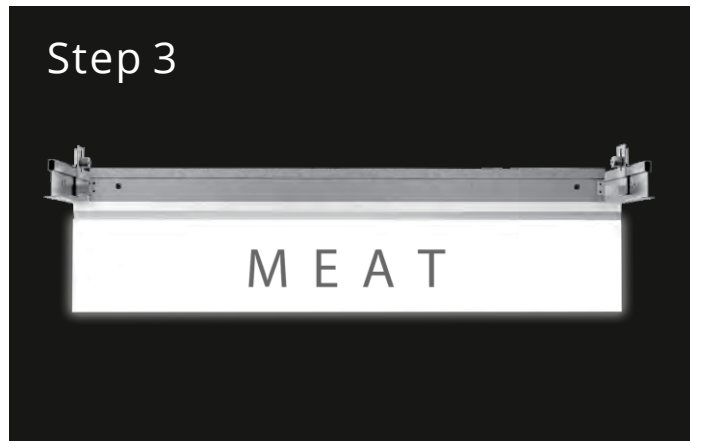
Remove the LED module.

Step 2



Put in new LED module with different color temperatures or sign.

Step 3



T-grid LED sign

SAVING YOUR LABOR COST



01

Remote Driver

Parallely Connected 3PCS Lights Per Driver



02

RJ45 terminal to make easy installation and safe wiring



FLEXIBLE LIGHTING SOLUTION

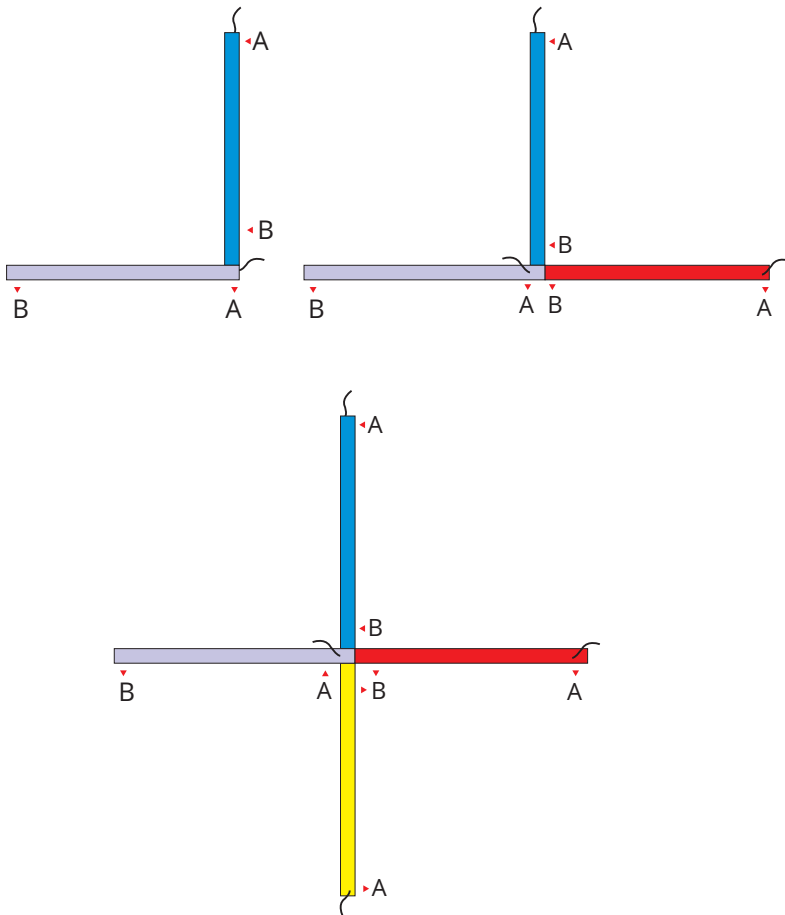
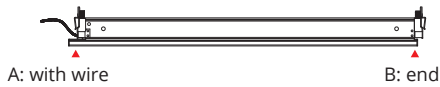
Design Custom Pattern To Your Space Flexible Lighting Solution

It is free to create compelling spaces, and your space no longer has to be restricted to a single pattern on the ceiling. Custom pattern such as "L", "T", " +", "□" etc.

Regular



Custom Pattern Version

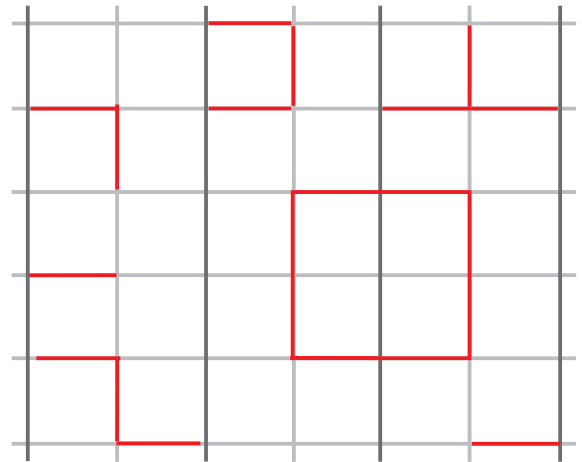


Remark: Only one A-end with wire in joint

Considering different dimension and functions of a room, the linear light will at any point provide the desired light level. Your room no longer has to be ruled by a single fixture in the ceiling, providing a flexible general lighting solution for commercial and institutional environments such as offices, classrooms, retail and public space.



T-Grid LED can be installed in many configurations by replacing any of the cross tees between the main runners of the grid ceiling assembly.



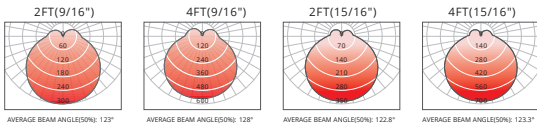
- Examples of configurations
- Possible positions for T-grid LED light modules
- One-piece main runner cannot be replaced

Milky Diffusing

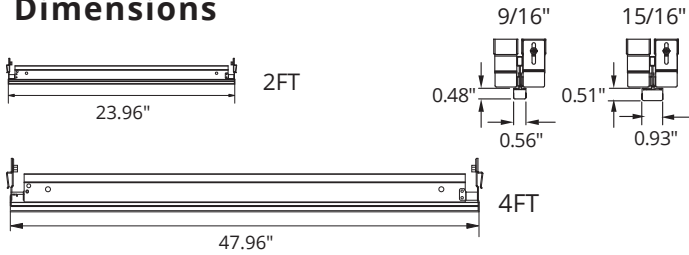
US Patent: 10125934



Luminous Intensity Distribution Diagram



Dimensions



Notes:

Driver:

T-Grid LED linear light can be parallel connected up to 6ft (2 foot fixture) and 12ft (4 foot fixture) max per power supply. Max distance from fixtures to power supply is 8 feet with 24 AWG wire with RJ45 terminal, which makes easy installation and safe wiring.

Mounting:

Universal mounting brackets are widely compatible to various T-Grids, easy installation to standard 15/16\", 9/16\" slot grid ceiling or 9/16\" fine line ceiling suspension systems.

Applications:

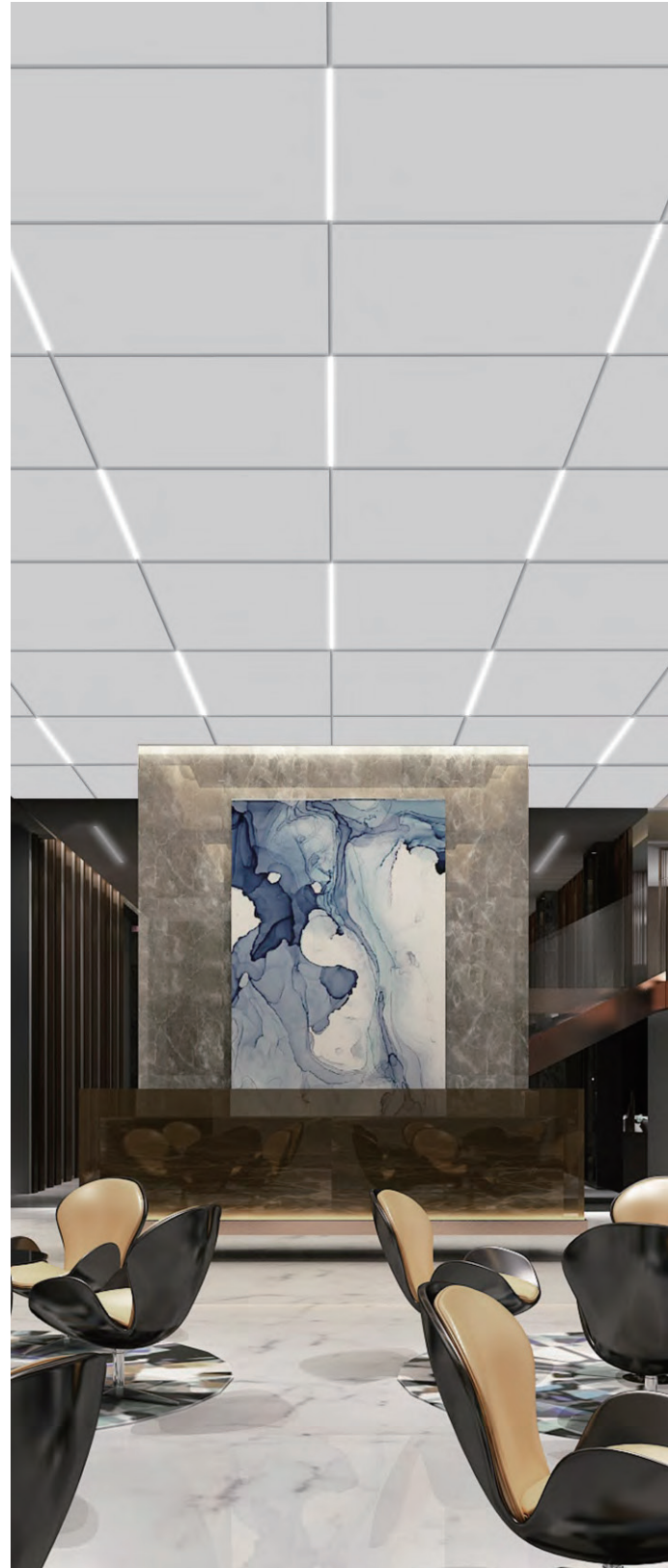
Your room no longer has to be restricted to a single fixture on the ceiling, instead it can provide a flexible general lighting solution with big beam angle for commercial and institutional environments such as office building, medical, health, educational, retail, hotel, airport, hospitality, etc that require a unique and elegant architectural lighting design.

Warranty:

5 years limited warranty

Listings:

US Patent, UL, DLC and Indoor use only.



Specification

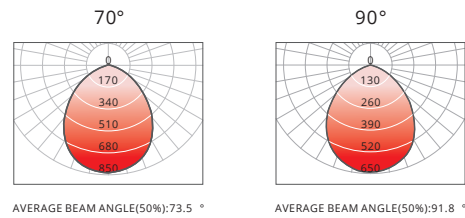
Model	Size	Grid Type	Input Power	Efficacy	Luminous Flux	Beam Angle	DLC CCT	Dimming
TB2-DM-XXF	2FT	9/16"	10 Watts	110lm/w	1100lm	123°	3500K / 4000K / 5000K	0-10V
TB4-DM-XXF	4FT	9/16"	20 Watts	120lm/w	2400lm	128°		
TB2-DM-XXU	2FT	15/16"	10 Watts	130lm/w	1300lm	120°		
TB4-DM-XXU	4FT	15/16"	20 Watts	130lm/w	2600lm	120°		

Clear Diffusing

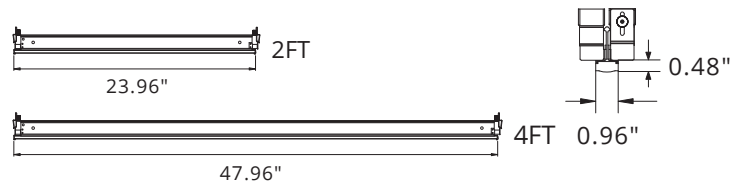
US Patent: 10125934



Luminous Intensity Distribution Diagram



Dimensions



Notes:

Driver:

T-Grid LED linear light can be parallelly connected up to 6ft (2 foot fixture) and 12ft (4 foot fixture) max per power supply. Max distance from fixtures to power supply is 8 feet with 24 AWG wire with RJ45 terminal, which makes easy installation and safe wiring.

Mounting:

Universal mounting brackets are widely compatible to various T-Grids, with easy installation to standard 15/16" ceiling suspension systems.

Applications:

Your room no longer has to be restricted to a single fixture in the ceiling, instead it can provide a flexible general lighting solution for commercial and institutional environments such as office building, medical, health, educational, retail, hotel, airport, hospitality, etc that require a unique and elegant architectural lighting design.

Warranty:

5 years limited warranty

Listings:

US Patent, UL, Damp Rated and Indoor use only.

Specification

Model	Size	Grid Type	Input Power	Efficacy	Luminous Flux	Beam Angle	CCT	Dimming
TB2-LM-XXL	2FT	15/16"	10 Watts	120lm/w	1200lm	70°/ 90°	3000K / 3500K/ 4000K / 5000K	0-10V
TB4-LM-XXL	4FT		20 Watts	120lm/w	2400lm			

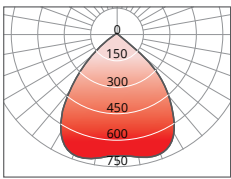
Lens Diffusing

US Patent: 10125934



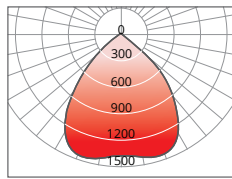
Luminous Intensity Distribution Diagram

2FT



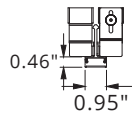
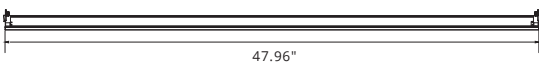
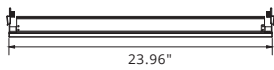
AVERAGE [BEAM]ANGLE(50%): 85.1 °

4FT



AVERAGE [BEAM]ANGLE(50%): 83.9 °

Dimensions



Notes:

Driver:

T-Grid LED linear light can be parallel connected up to 6ft (2 foot fixture) and 12ft (4 foot fixture) max per power supply. Max distance from fixtures to power supply is 8 feet with 24 AWG wire with RJ45 terminal, which make easy installation and safe wiring.

Mounting:

Universal mounting brackets are widely compatible to various T-Grids, easy installation to standard 15/16 "ceiling suspension systems.

Applications:

Your room no longer has to be restricted to a single fixture in the ceiling, instead it can provide a flexible general lighting solution for commercial and institutional environments such as office building, medical, health, educational, retail, hotel, airport, hospitality, etc that require a unique and elegant architectural lighting design.

Warranty:

5 years limited warranty.

Listings:

US Patent, UL, Damp Rated and Indoor use only.



Specification

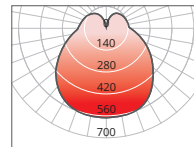
Model	Size	Input Power	Efficacy	Luminous Flux	Beam Angle	Input Voltage	CCT	Dimming
TB2-LM-XXU	2FT	10 Watts	127lm/w	1270lm	85°	100-277V AC	3000K / 3500K / 4000K / 5000K	0-10V
TB4-LM-XXU	4FT	20 Watts	130lm/w	2600lm				

T-Grid LED Sign

US Patent: 10125934

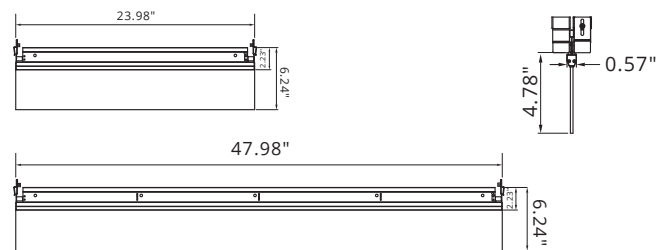


Luminous Intensity Distribution Diagram



AVERAGE BEAM ANGLE(50%):111.8 °

Dimensions



Note:

Light distribution:

Great 360 degree distribution and puts uniform white light primarily on to vertical surfaces.

Optics:

It is transparent when off to create less visual clutter in the environment while excellent uniformity and efficiency when on.

Driver:

It can be parallelly connected up to 6ft (2 foot fixture) and 12ft (4 foot fixture) max per power supply. Max distance from fixtures to power supply is 8 feet with 24 AWG wire with RJ45 terminal, which make easy installation and safe wiring.

Mounting:

Universal mounting brackets are easily installed to standard 9/16" fine line ceiling suspension systems.

Applications:

This is a perfect minimalistic solution for providing a flexible led sign with big beam angle, achieving indication and illumination function for commercial and institutional environments such as supermarket, retail store, hotel, airport, hospital, etc.

Warranty:

5 years limited warranty.

Listings:

US Patent, UL, Damp Rated and Indoor use only.

Specification

Model	Size	Input Power	Efficacy	Luminous Flux	Beam Angle	Input Voltage	CCT	Dimming
TB2-DM-XXP	2FT	10 Watts	110lm/w	1100lm	123°	100-277V AC	3000K / 3500K	0-10V
TB4-DM-XXP	4FT	20 Watts		2200lm	128°		4000K / 5000K	

APPLICATIONS



